

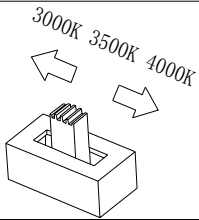
DC Light ApS
 Handverkerbyen 10
 DK-2670 Greve
 Denmark

Matrix Up-Down

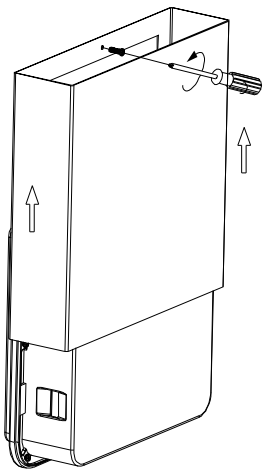
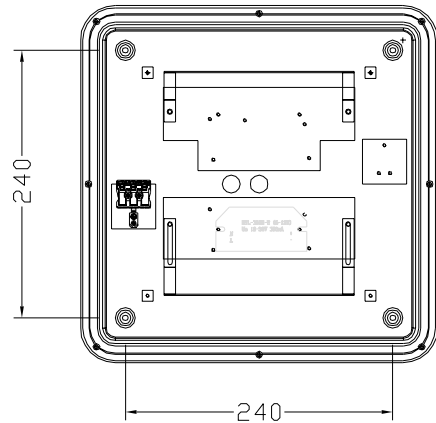
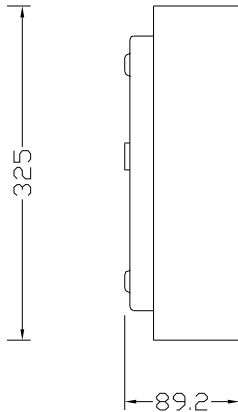
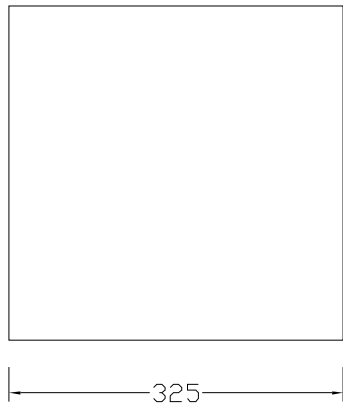


EN60598/CEM2001/108/CE

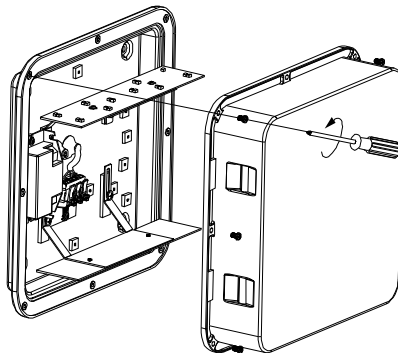
Power: 230V-50Hz
 IK10-IP65
 Temp: -20° C/+50° C
 Socked: LED-Platta
 Lighth source: LED 20W
 PC Diffuser/ALU house



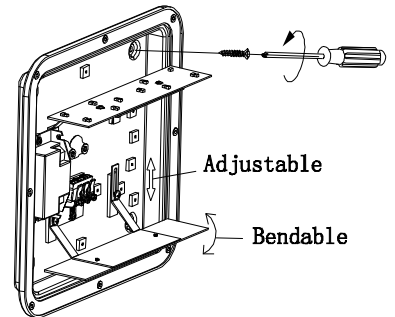
Note: Kelvin change switch is placed inside the luminaire, on the back of LED plate.
 Disconnect the power before operation.
 Settings are 3000K/3500K/4000K, factory setting is 3000K.



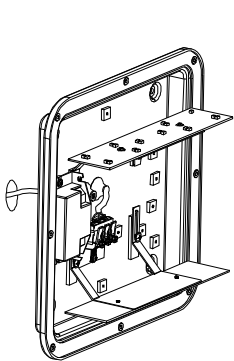
01



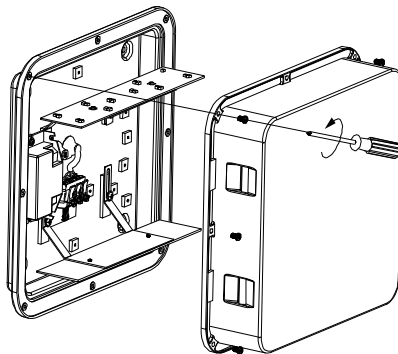
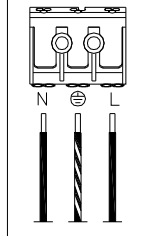
02



03

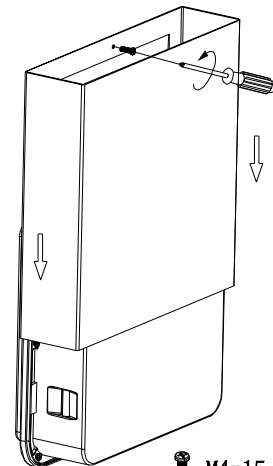


04



M4x10 7pcs

05



M4x15 1pc

06

Mounting holes 4pcs with distance as above
 Cable entrance with 2 holes Ø16 with gasket

DC Light ApS
 Handverkerbyen 10
 DK-2670 Greve
 Denmark

Matrix Up-Down



EN60598/CEM2001/108/CE

Power: 230V-50Hz
 IK10-IP65
 Temp: -20° C/+50° C
 Socked: LED-Platta
 Ligth source: LED 20W
 PC Diffuser/ALU house

PIN 1	PIN 2	PIN 3	I out (mA)
●	●	●	500
○	●	●	450
●	○	●	400
○	○	●	350
●	●	○	300
○	●	○	250
●	○	○	200
○	○	○	150

CCT	Current Setting	Power (W)	Lumen (lm)
3000K	150mA	8.8	549
	200mA	11.5	712
	250mA	14.3	859
	300mA	17	1000.7
	350mA	19.8	1092.7
	400mA	22.5	1205
	450mA	25.6	1315.2

CCT	Current Setting	Power (W)	Lumen (lm)
3500K	150mA	8.6	582.7
	200mA	11.2	753.2
	250mA	14	915.3
	300mA	16.5	1066
	350mA	19.1	1210
	400mA	21.7	1348
	450mA	24.4	1483.3

CCT	Current Setting	Power (W)	Lumen (lm)
4000K	150mA	8.8	567.4
	200mA	11.4	735
	250mA	14.2	886
	300mA	16.8	1022.5
	350mA	19.7	1157
	400mA	22.3	1276.8
	450mA	25.2	1394.4